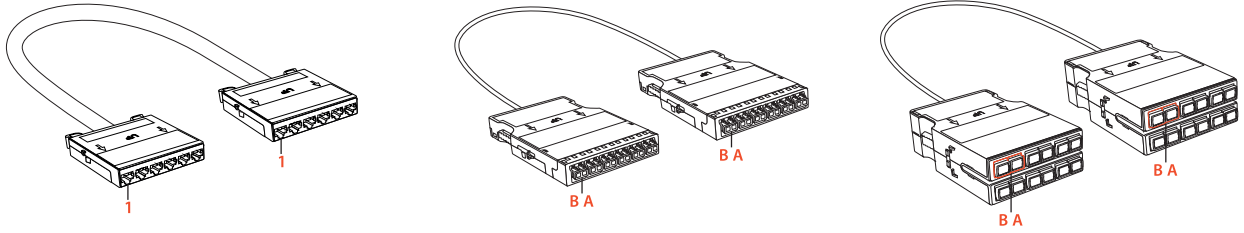


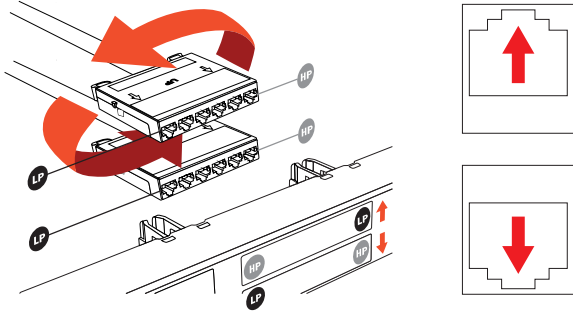
1:1 Port Assignment*



*Assembly according to product specification

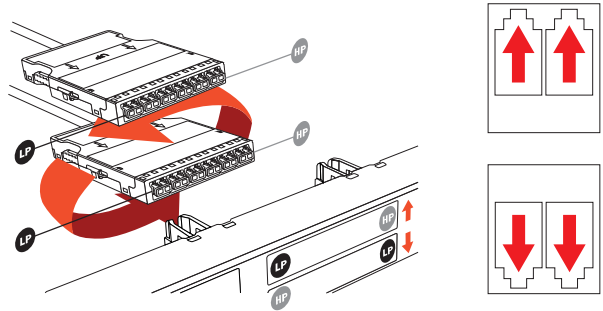
FOR AIM ONLY - RJ45 cassette

LP Low port HP High port

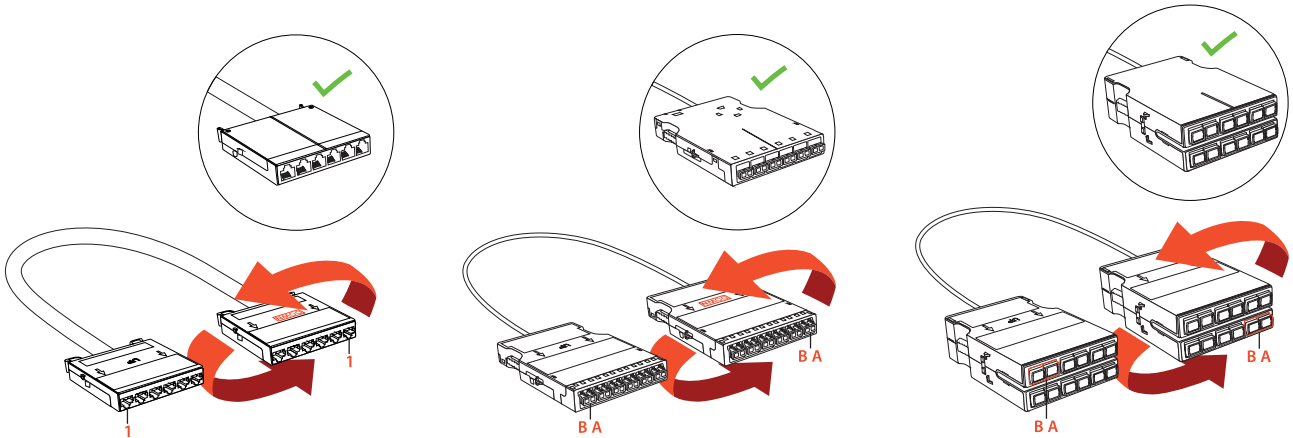


FOR AIM ONLY - LC cassette

LP Low port HP High port



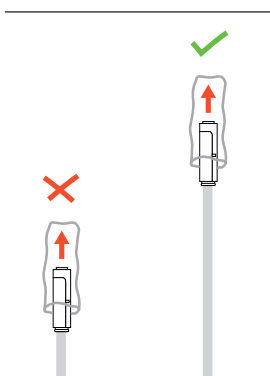
Roll Over Assignment** - Position of low port and high port



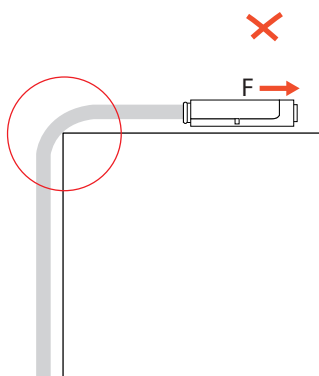
**Assembly not according to product specification

The operator himself carries the full risk

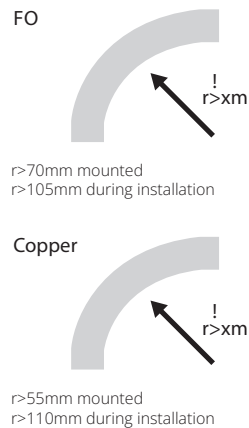
i Remove Plastic bag not before **final position**



i Do not pull around **sharp edges**



i Do not fall below under minimum **bending radius**



i Do not fold

